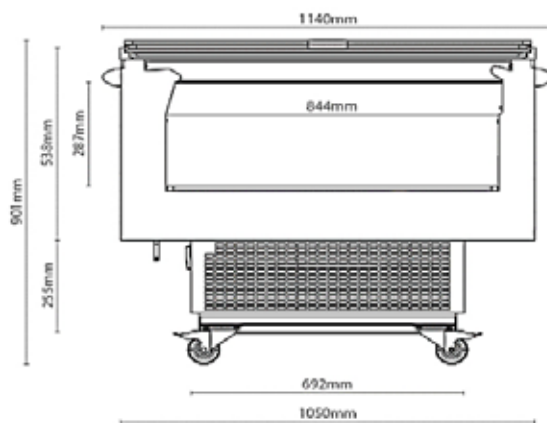
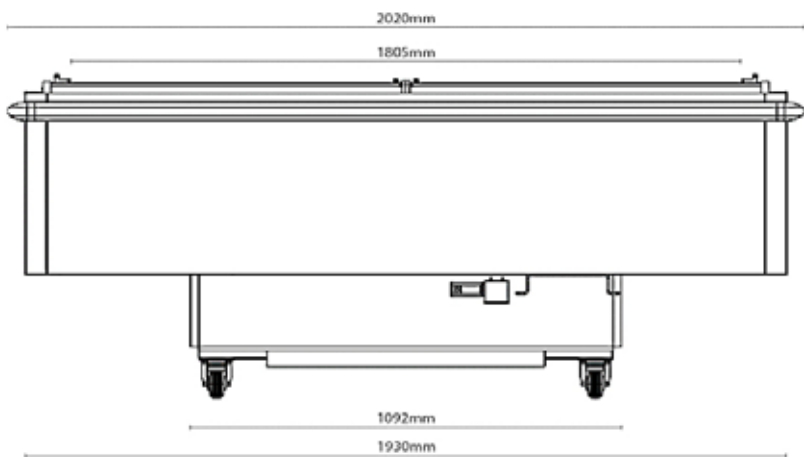


## Display Freezers - H-Hyce 200 4T



H-Hyce 200 4T\*



### Technical parameters:

Model	Dimension (ext.) H x W x D [mm]	Display surface [m <sup>2</sup> ]	Weight [kg]
H-Hyce 200 4T	901 x 2020 x 1050	1,51	213

\* - Picture above presents unit with either some or all available extras. Please note that the look of basic version of cabinet, or one of your choice, may vary from presented.

## Display Freezers - H-Hyce 200 4T



H-Hyce 200 4T\*

### Description:

- dual temperature unit
- freezer temperature range -18 / -21°C
- chiller temperature range 0 /+4 °C
- preferred ambient temperature +16 / +25°C
- power supply 230V / 50Hz
- internal condensing unit
- ecological polyurethane insulation
- body made of PVC coated steel - white colour
- interior LED lighting - white
- price strips
- fan assisted cooling
- electronic control with digital temperature display
- automatic defrost
- automatic condensate evaporation
- castors with brakes
- 1 year full warranty service and after warranty service provided

### Available options:

- bottom grey bumper
- body colour - black

\* - Picture above presents unit with either some or all available extras. Please note that the look of basic version of cabinet, or one of your choice, may vary from presented.